



TABLE OF CONTENTS

8. Public Health Services8-2

8.1 Current Public Health Services.....8-2

8.2 Public Health Services After the Pandemic is Declared.....8-3

8.2.a Influenza-related Activities8-3

8.2.b Other Public Health Programs and Services8-3

8.2.c PCCHU Emergency Control Group (ECG)8-11

8. Public Health Services

Public health was and is where the largest numbers of lives are saved, usually by understanding the epidemiology of a disease – its patterns, where and how it emerges and spreads – and attacking it at its weak points. This usually means prevention. ... Public Health measures lack the drama of pulling someone back from the edge of death, but they save lives by the millions.

The Great Influenza, John M. Barry

The Peterborough County-City Health Unit (PCCHU) will play a key role as the lead in an influenza pandemic. The PCCHU will also continue to maintain other services and programs that protect the public from a range of other diseases and health risks. This section describes the influenza related services the PCCHU will provide.

8.1 Current Public Health Services

The PCCHU, Health Protection Division, currently offers the following services/activities:

- promoting and managing the seasonal influenza immunization program
- year-round surveillance of
 - influenza-like illness (ILI)
 - institutional respiratory outbreaks
 - laboratory reports/integrated Public Health Information System (iPHIS)
 - influenza vaccine coverage rates in hospital staff, long-term care home residents/staff
 - adverse vaccine reaction reporting
- providing education for health care workers, health care settings and the public
- working with provincial and federal public health authorities to develop policy on influenza immunization, outbreak management and preparing for health emergencies.

Just before a pandemic is declared in Peterborough City and County, particularly when the only influenza cases in Ontario are imported cases (i.e., people arriving in Canada from a country with influenza clusters), the PCCHU will use aggressive measures to slow the spread of the virus and buy some additional time by carrying out the following:

- case and contact follow up
- education, communication

- reinforcing risk reduction strategies

8.2 Public Health Services after the Pandemic is Declared

In the event of a pandemic, the PCCHU will play a major role in coordinating the local response. This will put intense pressure on the PCCHU resources (human, financial, and physical). The PCCHU has developed a contingency plan to use available resources effectively.

8.2.a Influenza-related Activities

In terms of influenza-related activities, the PCCHU will continue most of the activities that were offered before the pandemic was declared. However case and contact follow up will be discontinued and surveillance activities will be modified. The PCCHU will focus on education, communication (public inquiry line), and implementation of public health measures, institutional outbreak management and surveillance activities.

8.2.b Other Public Health Programs and Services

During a pandemic, the PCCHU will “scale back” some other programs and services (including mandatory health program activities) in order to meet influenza-related needs. In order to create an essential services contingency plan, all PCCHU management staff prepared a list of services and activities offered by their programs and the number of staff allocated to these activities. The activities were then prioritized according to the following:

- Must Do – critical services cannot be deferred or delegated.
- High Priority – do not defer if possible or bring back as soon as possible.
- Medium Priority – can wait if pandemic is not too long.
- Low Priority – can be brought back when the pandemic is over.

Due to the need to redeploy staff to pandemic activities, only activities identified as ‘Must Do’ and ‘High Priority’ will be continued during a pandemic. The following table shows these activities and the staffing allocation.

Peterborough County-City Health Unit Pandemic Influenza Plan
Section 8: Public Health Services



Priority Public Health Services
 15 Oct -09

Division	Program	Essential Activities	Must Do Critical services cannot be deferred or delegated	High Priority Do not defer if possible or bring it back as soon as possible	Profession Required
Health Protection and Promotion	All	Management of essential activities	x		Manager
Health Protection	Safe Water, Food Safety, Rabies Prevention and Control, Health Hazards Prevention	Maintain 24/7 on-call and response	x		Public Health Inspector
Health Protection	Safe Water	Provide information on safe drinking water practices (private)		x	Public Health Inspector
		Inform public of unsafe drinking water conditions/protective measures	x		Public Health Inspector
		Review reportable diseases wrt drinking water		x	Epidemiologist
		Receive and respond to adverse reports	x		Public Health Inspector
		Address hazardous conditions observed at beaches	x		Public Health Inspector
		Review sampling results and post where indicated	x		Student Public Health Inspector
		Inspect public pools, spas, and recreational water		x	Student Public Health Inspector
		Secretarial support to essential activities	x		Secretary
Health Protection	Sewage Disposal	Receive permit applications, prepare permits and reports		x	Secretary
		Respond to sewage complaints resulting in immediate threat to health	x		Public Health Inspector
		Inspection of construction sites		x	Public Health Inspector

Peterborough County-City Health Unit Pandemic Influenza Plan
Section 8: Public Health Services



Priority Public Health Services
 15 Oct -09

Division	Program	Essential Activities	Must Do Critical services cannot be deferred or delegated	High Priority Do not defer if possible or bring it back as soon as possible	Profession Required
Health Protection	Food Safety	Food safety complaints resulting in immediate threat to health	x		Public Health Inspector
		Class 1 food recalls	x		Public Health Inspector
		Secretarial support to essential activities	x		Secretary
Health Protection	Health Hazards Prevention	Health hazards complaints resulting in immediate threat to health	x		Public Health Inspector
		Facilities complaints resulting in immediate threat to health	x		Public Health Inspector
		Secretarial support to essential activities	x		Secretary
Health Protection	Tobacco Use Prevention	In-depth tobacco cessation counselling	x		Public Health Nurse
		Charges and compliance checks	x		Health Promoter
		Youth engagement		x	Youth Development Worker
Health Protection	Rabies Prevention and Control	Investigation of rabies exposure	x		Public Health Inspector
		Distribution of globulin and vaccine	x		Public Health Inspector
		Secretarial support to essential activities	x		Secretary
Health Protection	Infectious Diseases, Tuberculosis, Vaccine Preventable Diseases	Follow-up of selected meningitis, tuberculosis, influenza	x		Registered Nurse, Public Health Inspector
		Follow up other reportable diseases		x	Registered Nurse, Public Health Inspector
		Follow up of severe outbreaks	x		Registered Nurse, Public Health Inspector

Peterborough County-City Health Unit Pandemic Influenza Plan
Section 8: Public Health Services



Priority Public Health Services
 15 Oct -09

Division	Program	Essential Activities	Must Do Critical services cannot be deferred or delegated	High Priority Do not defer if possible or bring it back as soon as possible	Profession Required
		Telephone consultation for CID		x	Registered Nurse, Public Health Inspector
		Presentations on Infection Control		x	Registered Nurse, Public Health Inspector
		Follow-up of non-severe outbreaks		x	Registered Nurse, Public Health Inspector
		Receive and assess complaints re: daycare, LTC, personal service settings	x		Public Health Inspector
		Reportable disease surveillance	x		Epidemiologist
		Rabies vaccine distribution	x		Secretary, Public Health Inspector
		Arranging for Dispensing of TB Drugs		x	Registered Nurse
		Distribution of biologicals		x	Secretary, Registered Nurse
		Family Physician, Pharmacy, School Surveillance		x	Nurse, Public Health Inspector
		Telephone consultation for VPD		x	Registered Nurse
		Monitoring vaccine		x	Registered Nurse
Health Protection	Sexual Health/Sexually Transmitted Diseases/ Blood Borne Infections	Clinical services incl: blood testing for HIV, Hep B and C, and syphilis	x		Public Health Nurse
		Contact tracing for HIV, syphilis, gonorrhea	x		Public Health Nurse
		Contact tracing for other reportable STIs		x	Public Health Nurse
		iPHIS data entry and case management for STIs/BBIs	x		Public Health Nurse
		iPHIS data entry and contact management for HIV, syphilis, gonorrhea	x		Public Health Nurse
		Initiation and renewal of contraception incl. Depo	x		Public Health Nurse

Peterborough County-City Health Unit Pandemic Influenza Plan
Section 8: Public Health Services



Priority Public Health Services
 15 Oct -09

Division	Program	Essential Activities	Must Do Critical services cannot be deferred or delegated	High Priority Do not defer if possible or bring it back as soon as possible	Profession Required
		Provision of emergency contraception	x		Public Health Nurse
		Data entry re. reportable diseases in iPHIS		x	Secretary
		Counselling and referral re. positive pregnancy tests	x		Public Health Nurse
		Counselling and referral re. positive HIV, Hep B, Hep C, syphilis and gonorrhoea	x		Public Health Nurse
		Counselling and referral re abnormal paps	x		Public Health Nurse
		Treatment and counselling re. HPV		x	Public Health Nurse
		Contraceptive sales	x		Secretary
		Transporting speculums to PRHC/alternate for autoclaving	x		Secretary
		Provision of STI meds to clients, MDs, pharmacies	x		Public Health Nurse
		Distribution of sexual health resources		x	Secretary
		Telephone consultation re SH, STIs and BBIs	x		Public Health Nurse
		Urgent physician clinics	x		Medical Doctor
Health Protection	Reproductive Health	Telephone consultations to expectant parents	x		Public Health Nurse
		Telephone consultation to health professionals	x		Public Health Nurse
		Reprinting/dissemination of resources to MDS/NPs/service providers		x	Secretary
		Liaison with School for Young Moms		x	Public Health Nurse
		Teen Prenatal Supper Club		x	Public Health Nurse

Peterborough County-City Health Unit Pandemic Influenza Plan
Section 8: Public Health Services



Priority Public Health Services
 15 Oct -09

Division	Program	Essential Activities	Must Do Critical services cannot be deferred or delegated	High Priority Do not defer if possible or bring it back as soon as possible	Profession Required
Health Protection	Child Health	Family Healthline	x		Public Health Nurse
		Breastfeeding consultation	x		Public Health Nurse
		Printing/dissemination of resources for parents/caregivers		x	Secretary
Health Protection	Oral Health	Intake dental emergencies	x		Secretary
		Oral health screening in health unit clinics		x	Dental Hygienist
		Monitoring municipal water fluoridation	x		Dental Hygienist
		Printing/disseminate resources to parents and caregivers		x	Secretary
		Processing claims for dental treatment		x	Secretary
		Case management for CINOT-eligible children (incl.CAS referral)		x	Dental Hygienist
		Referral of CINOT-eligible youth 14-17 for treatment	x		Secretary
Health Protection	Genetics	Counselling and referral for prenatal cases	x		Genetic Counsellor
		Consultation re. testing for palliative cancer clients	x		Genetic Counsellor
		Consultation to health care providers, incl. urgent cases	x		Genetic Counsellor
Health Promotion	Chronic Diseases and Injury Prevention	School/Workplace/Community events		x	Health Promoter
		Workplace based events		x	Health Promoter
		Food skills training		x	Community Worker

Peterborough County-City Health Unit Pandemic Influenza Plan
Section 8: Public Health Services



Priority Public Health Services
 15 Oct -09

Division	Program	Essential Activities	Must Do Critical services cannot be deferred or delegated	High Priority Do not defer if possible or bring it back as soon as possible	Profession Required
		Administrative support		x	Secretary
		Dietary consultation	x		Public Health Nutritionist
		Food security	x		Community Worker
Health Promotion	Healthy Babies Healthy Children	Hospital liaison for postpartum follow-up (PHN)	x		Public Health Nurse
		Postpartum follow-up by telephone (PHN)	x		Public Health Nurse
		Postpartum home visits		x	Public Health Nurse
		New referral intake	x		Public Health Nurse
		Initial in-depth family assessment and immediate intervention (PHN)		x	Public Health Nurse
		High risk home visiting - limited for high priority (PHN)	x		Public Health Nurse
		High risk home visiting - limited for high priority (CW)		x	Community Worker
		ISCIS data input to initiate new records for documentation and data collection	x		Secretary
		Correspondence and file management		x	Secretary
Administration	Administration	Board of Health meetings	x		Director, Administrative Services
		Personnel and labour relations issues		x	Director, Administrative Services
		MFIPPA and PHIPA information requests		x	Director, Administrative Services
		Secretaries' schedules; cover MOH and Director of Admin offices	x		Administrative Assistant
		Supervise accounting, payroll, purchasing	x		Accounting Supervisor
		Building security, essential building cleaning and maintenance, courier duties	x		Caretaker

Section 8: Public Health Services



Priority Public Health Services

15 Oct -09

Division	Program	Essential Activities	Must Do Critical services cannot be deferred or delegated	High Priority Do not defer if possible or bring it back as soon as possible	Profession Required
		Switchboard, reception, mail	x		Receptionist
		IT support: communication systems; systems backup	x		Computer Technician Analyst
		Payroll, benefits; accounts payable; banking	x		Bookkeeper 2

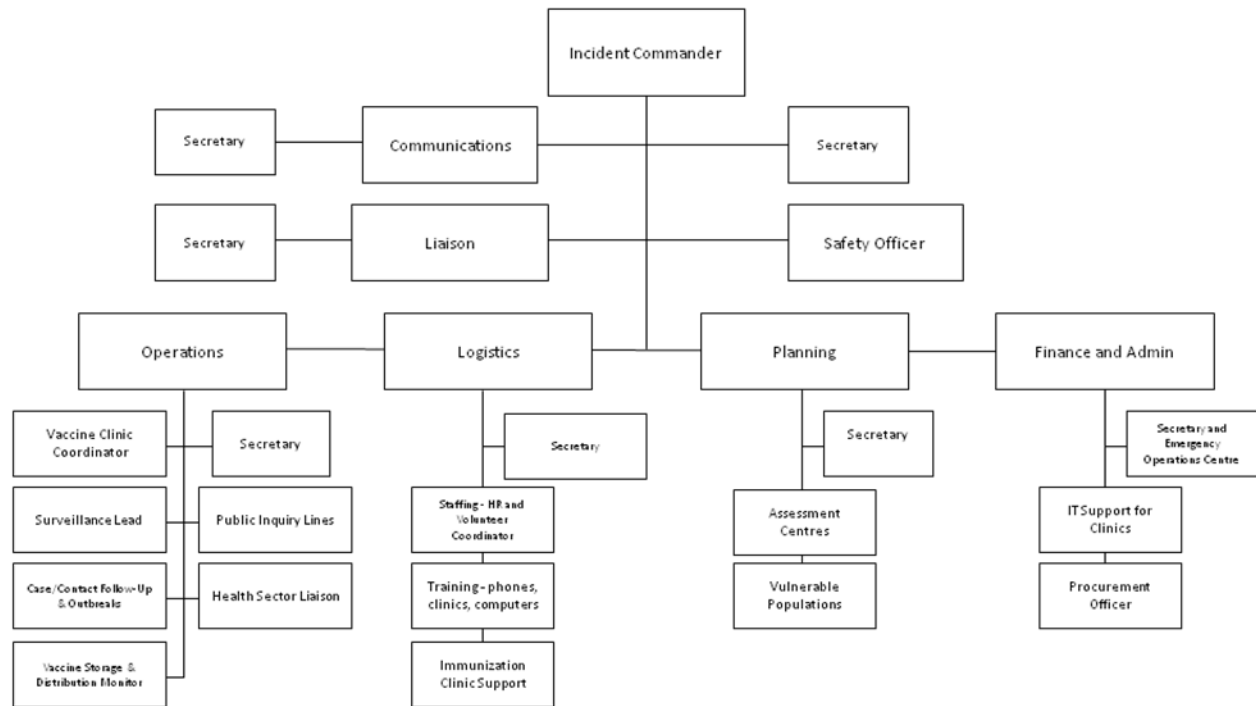
8.2.c PCCHU Emergency Control Group (ECG)

The PCCHU have prepared the Board Room and Otonabee Room at 10 Hospital Drive to be set-up as the PCCHU emergency operations centre for pandemic influenza. The command centre at the Health Unit will be called the PCCHU Emergency Operations Centre (EOC).

PCCHU ECG will be set-up as directed by the Medical Officer of Health once the notice of a pandemic escalates. It will be used to assist in the coordinate the response of public health during a pandemic.

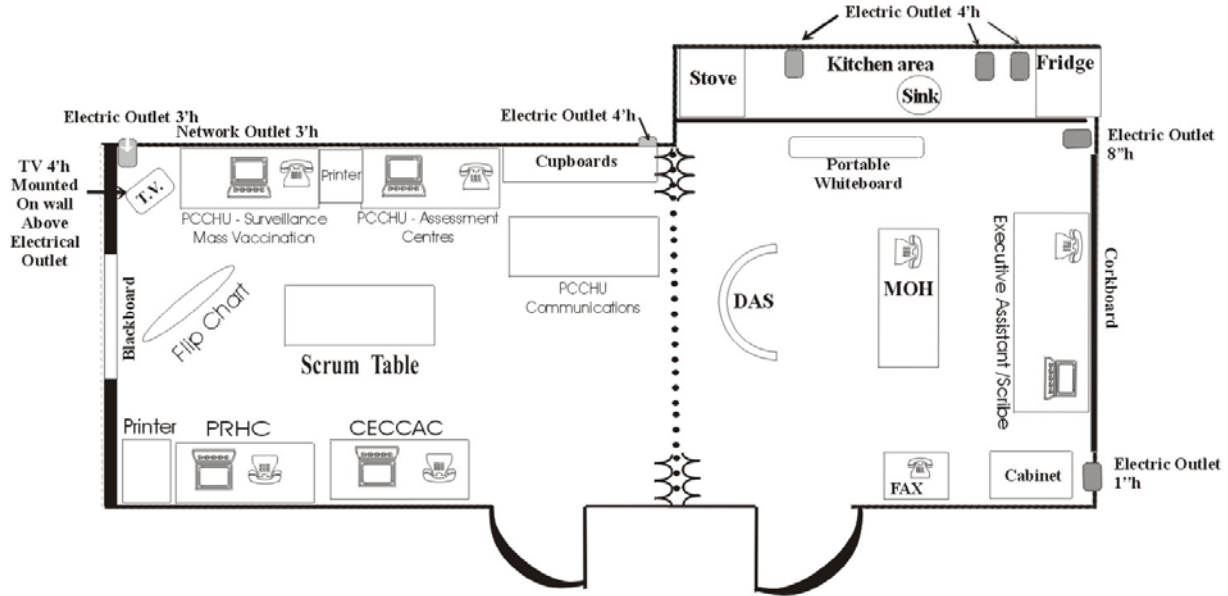
The following representatives will be assigned to the PCCHU ECG:

IMS: H1N1 Influenza November 2009



The Board Room and the Otonabee Room of 10 Hospital Drive has been equipped ports to allow for the quick set-up of the room with fax machines, computer and internet access, printers, telephones, etc.

**Peterborough County-City Health Unit
 Emergency Operations Centre**



Legend

- MOH - Medical Officer of Health
- DAS - Director of Administrative Services
- Scrum - a team-based approach to manage and control development of a situation when requirements are rapidly changing
- PRHC - Peterborough Regional Health Centre
- CECCAC - Peterborough Community Access Centre
- PCCHU - Peterborough County-City Health Unit